

EVOLUTION™ R1

LCD ELEVATOR AND BUILDING DISPLAYS

DISPLAY	R1-035	R1-043
LCD Type	TFT	TFT
Colour Depth	64K	64K
Viewing Area* (W x H) (mm)	71 x 53	95 x 54
Resolution* (X x Y)	320 x 240	480 x 272
Viewing Angle* (Horizontal)	160	160
Viewing Angle* (Vertical)	160	140
Contrast Ratio*	500:1	900:1
Luminance* (cd/m ²)	450	480
Temperature Range* (°C)	0 to 50	0 to 50
Humidity Range (%RH)	10 to 90	10 to 90
SCREEN CONFIGURATION		
Portrait	Yes	Yes
Landscape	Yes	Yes
Company logo	Yes	Yes
Date/Time	No	No
Background Image	Yes	Yes
Picture Slideshow	Optional if lift info is not required	Optional if lift info is not required
Number of pictures	13	8
USB local updating	No	No
Scrolling text	No	No
Static text	No	No
COMMUNICATION INTERFACE		
Lift Interface Serial	E-Motive 4-wire serial	E-Motive 4-wire serial
Lift Interface Parallel	Yes	Yes
POWER		
Operating Voltage	24V	24V
Power Consumption (typical)	2.4W	2.4W
DIMENSIONS		
Overall Display Dimensions (W x H x D) (mm)	130 x 80 x 22.5	154 x 90 x 22.5
Mounting Dimensions (mm)	4 x D4.5, 122 X 73	4 x D5, 144 x 80
Nett weight (grams)	214	285
LANGUAGE CHARACTERS SUPPORTED		
Central European	Yes	Yes
Cyrillic	Yes	Yes
Western	Yes	Yes
Middle Eastern	Yes	Yes
Chinese (Traditional)	Yes	Yes
Chinese (Simplified)	Yes	Yes
Korean	Yes	Yes
Japanese	Yes	Yes
Arabic	Yes	Yes
MOUNTING OPTIONS		
Back mounting (flushed)	Yes	Yes
Surface mounting	No	No
INCLUDED ACCESSORIES		
User manual	Yes	Yes
Installation Guide	Yes	Yes
OPTIONAL ACCESSORIES²		
Power supply	Yes	Yes
Encoder Board	Yes	Yes
Acrylic Lens	Yes	Yes
SD card	Yes	Yes

* Specifications subjected to change depending on LCD manufacturer and screen size
¹ Serial communication with different lift controllers is done through E-Motive encoder boards that are sold separately.
² Optional accessories are available to be sold separately upon request.



EVOLUTION™ R1 POSITION & DIRECTION INDICATORS

Exuding finesse and style without any unnecessary distractions, the R1 fully respects its surroundings and blends in effortlessly.

Enhanced viewing experience

- Wide viewing angle lets you see clearly from all sides
- Anti-glare screen reduces reflection for pristine display
- EN 81-70 compliance sets the standard for optimal readability

Tailor it to your taste

- Customise the colour scheme to the building's look and feel
- Choice of portrait or landscape orientation adds flexibility
- Choose between sizes 3.5" and 4.3"

Easy installation and maintenance

- Ultra slim design fits beautifully even in tight spaces
- Product meets industrial standards to perform in heavy duty environment
- Parallel input saves you the need for an encoder board

Conserve power with energy efficiency

- Power-saving mode saves energy when lift is not in use
- Screen on lift landing dims when lift is in standby mode



Corporate Offices:
 TL Jones Asia Pacific Pte Ltd
 Singapore +65 6776 4111
 www.tljones.com
 E-Motive Display Pte Ltd
 Singapore +65 6776 4111
 www.emotivedisplay.com

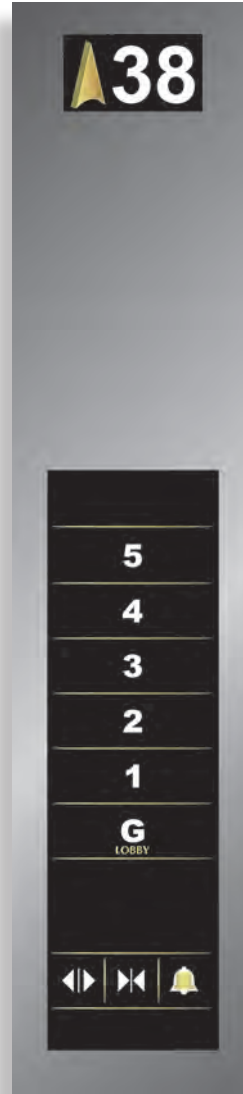
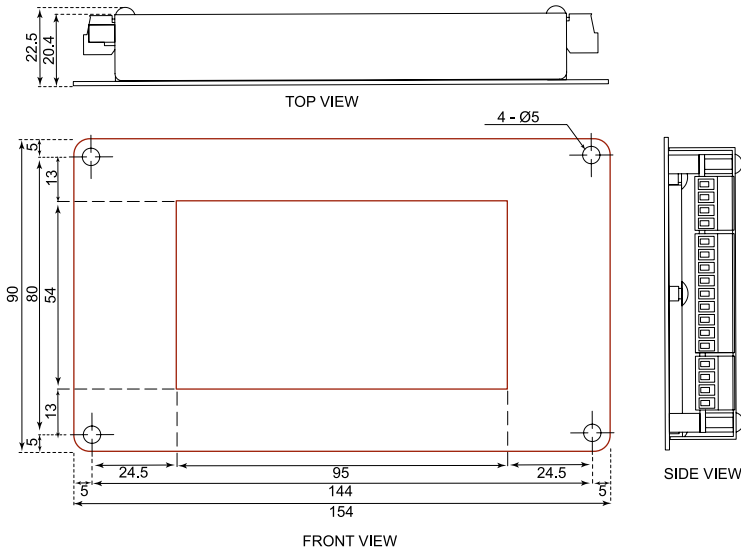
Regional Offices:
 Australia +61 7 3369 1311
 Sales (free call) 1 800 886 889
 Japan +81 3 5779 7980
 New Zealand +64 3 349 4456
 UAE +971 4 295 5648

China:
 Shanghai +86 21 6495 3748
 Guangzhou +86 20 3879 5188
India:
 Mumbai +91 22 4200 0700
 New Delhi +91 11 2553 7775
UK/Europe:
 Memco Ltd +44 1628 770 734
USA:
 Janus Elevator Products, Inc
 +1 631 864 3699

EVOLUTION™ R1

LCD ELEVATOR AND BUILDING DISPLAYS

R1-043



R1-035

